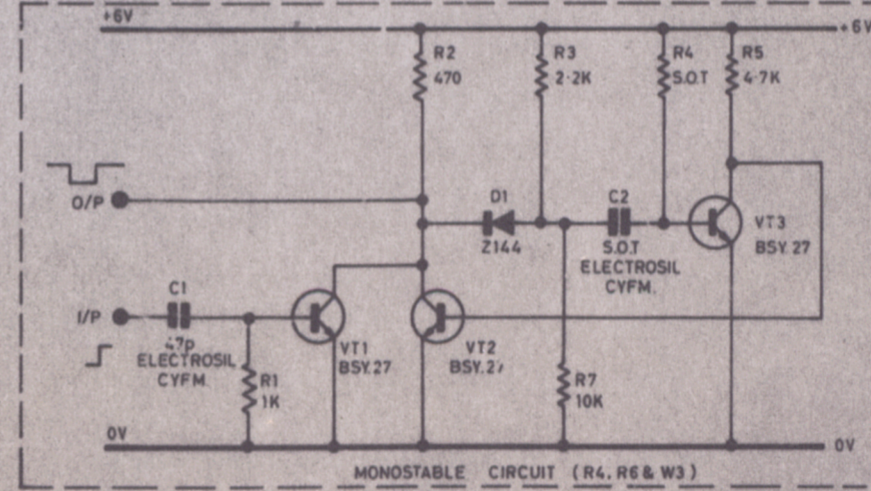
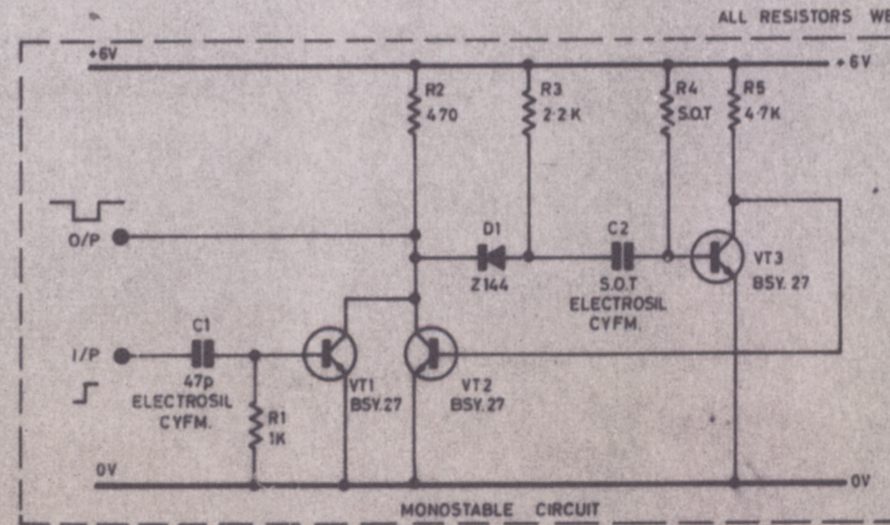
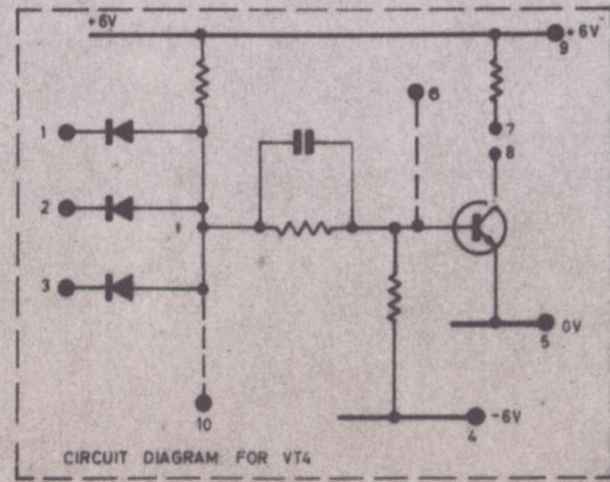
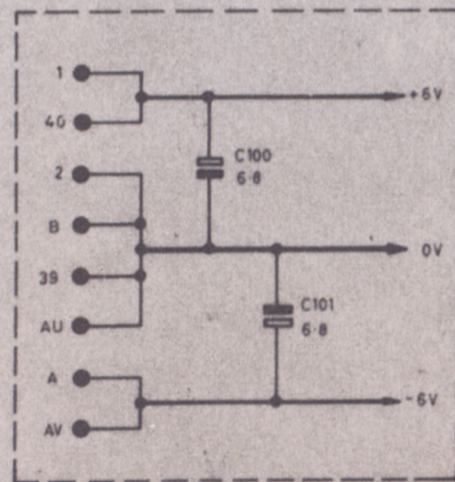
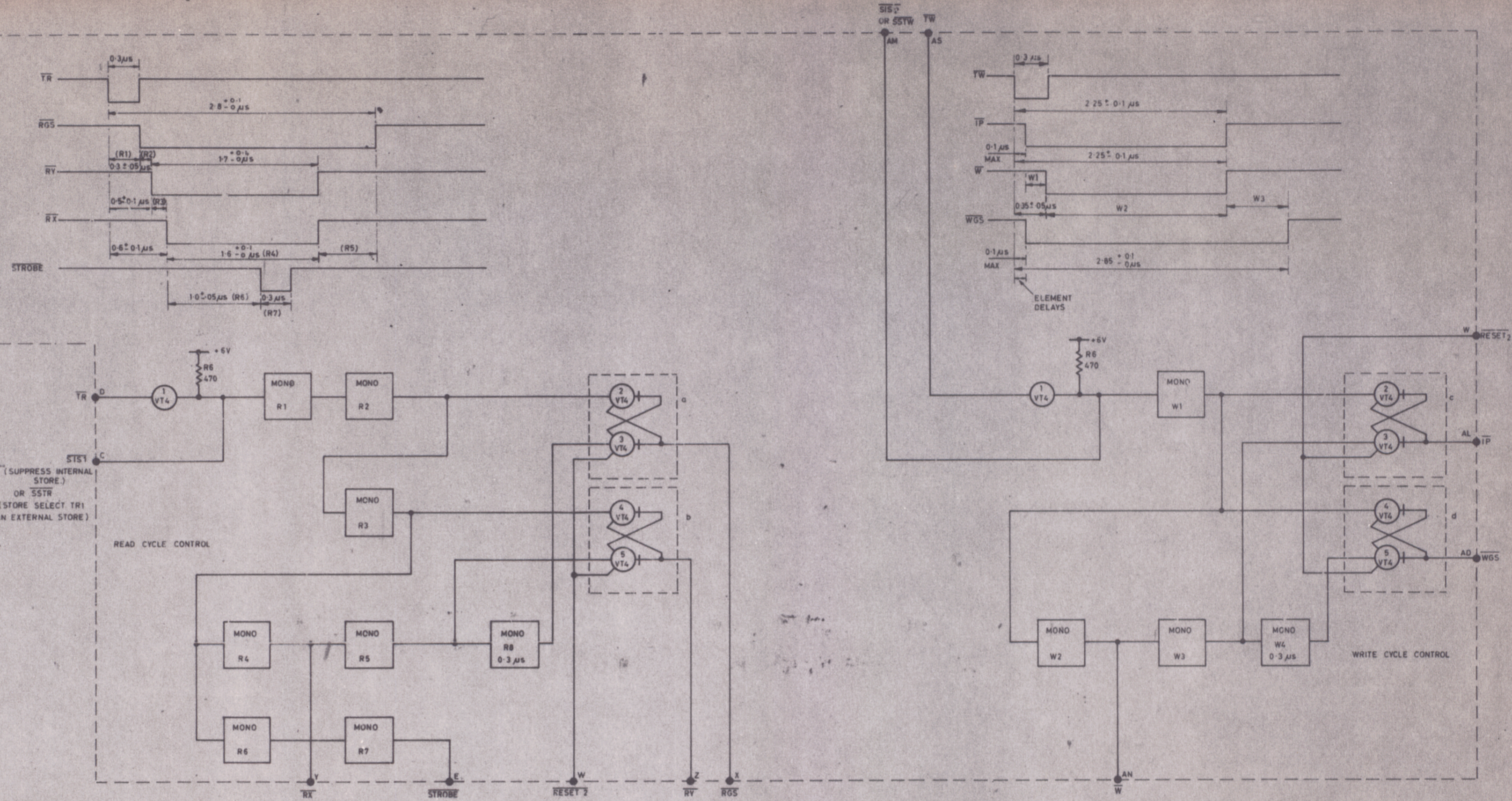


USED ON A 7201



920B STORE CONTROL CHAIN (A-EB3 UNIT)

**A23**

LATEST MI INCORPORATED MI-2993

2998

ISSUE No.	3
ALTM. No.	1601
DATE	27 1956
INITIALS	L.J.E.
PARTS LIST No.	

DRAWN	CHECKED	APPROVED	DATE
L. J. EVERETT	B. S. (108.923)	[Signature]	11-11-56

MATERIAL	FINISH	TOLERANCES DECIMAL	ANGULAR DIMENSIONS UNLESS OTHERWISE STATED
		FRACTIONAL	
TITLE		SCALE	
920B STORE CONTROL CHAIN (A-EB3 UNIT)		322 D 4197	

ELLIOTT BROTHERS (LONDON) LTD